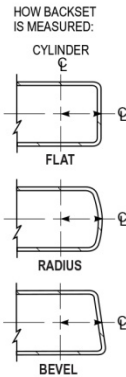
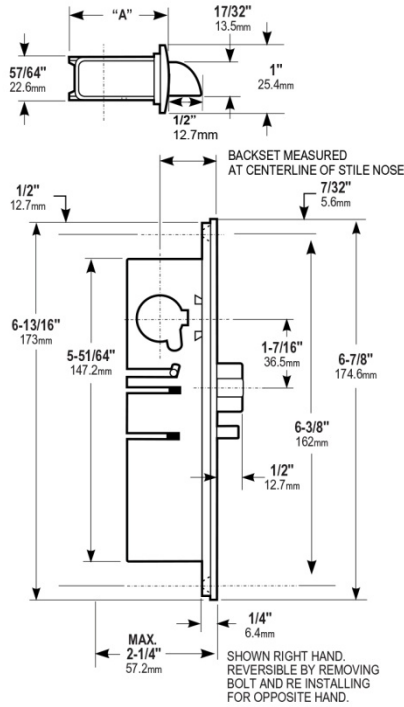


4510 Series and 4530 Series Deadlatch Installation Instructions

4510 Series

Dimensions

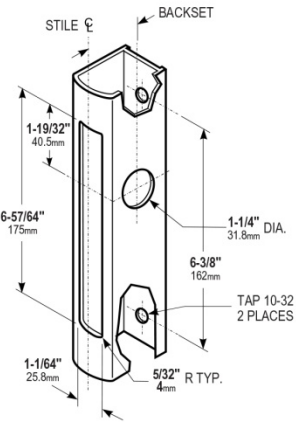


BACKSET	"A"
7/8" (22.2mm)	1-33/64" (38.5mm)
31/32" (24.6mm)	1-19/32" (40.5mm)
1-1/8" (28.6mm)	1-49/64" (44.8mm)
1-1/2" (38.1mm)	2-9/64" (54.4mm)

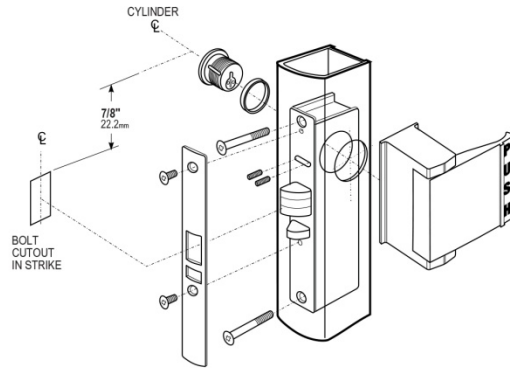
Installation

Stile Preparation

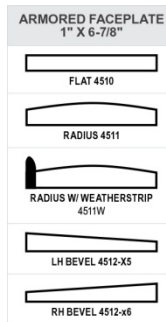
Identical to MS 1850A Series (See also prep for 4590 Paddle)



Latch Paddle and Cylinder Installation

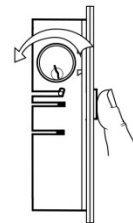


Available Faceplates



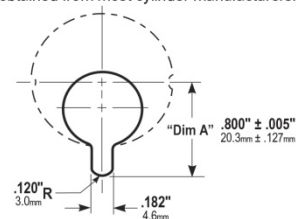
Bolt Holdback

While bolt is held fully retracted, a reverse turn of the key retains the bolt, allowing the door to be free swinging.



Cylinder Cam

4530 Standard Duty Deadlatches are operable by any standard 1-5/32" diameter mortise cylinder with MS® cam dimensioned as shown. Cylinders with MS® cams can be readily obtained from most cylinder manufacturers.

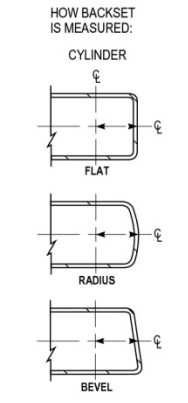
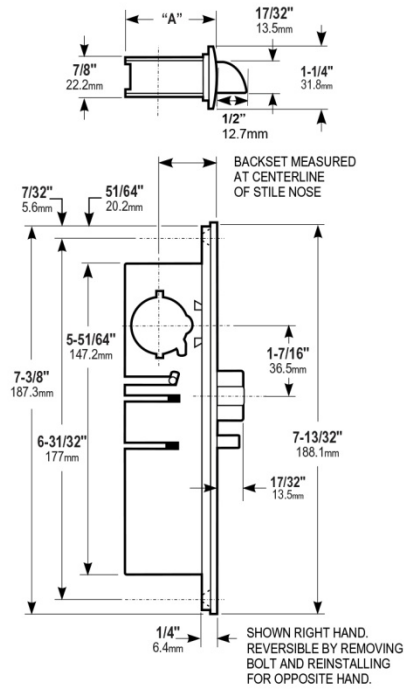


Related Hardware and Accessories

1. Handle Operators – Specify 4560, 4561, 4565, 4568, or 4590
2. Cylinders are available from Adams Rite keyed different or keyed alike in pairs.
3. Cylinder Guard – Specify MS 4043
4. Optional Strikes
See Catalog for additional details.

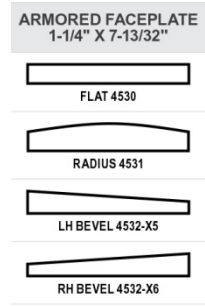
4530 Series

Dimensions



BACKSET	"A"
7/8" 22.2mm	1-33/64" 38.5mm
31/32" 24.6mm	1-19/32" 40.5mm
1-1/8" 28.6mm	1-49/64" 44.8mm

Available Faceplates



Related Hardware and Accessories

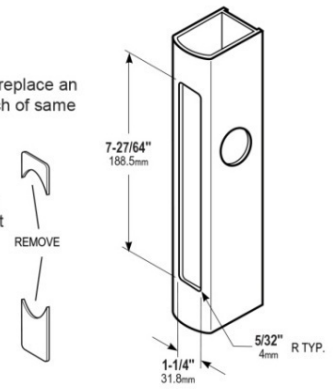
1. Handle Operators – Specify 4560, 4561, 4565, 4568, or 4569
2. Cylinders are available from Adams Rite keyed different or keyed alike in pairs.
3. Optional Strikes

See Catalog for additional details.

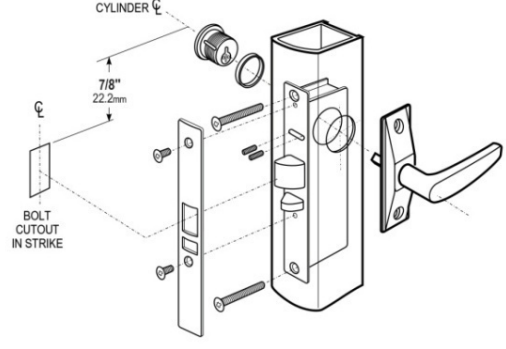
Installation

Stile Preparation

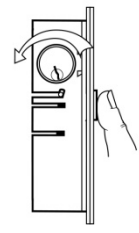
- NOTE 1:** No preparation is required to replace an old MS1850 lock or 4250 latch of same backset.
- NOTE 2:** The diagram shows the preparation to replace 4070 lock, old 4050 latch, 970 lock, or 1450 latch of same backset



Latch Paddle and Cylinder Installation



Bolt Holdback
While bolt is held fully retracted, a reverse turn of the key retains the bolt, allowing the door to be free swinging.



Cylinder Cam
4530 Standard Duty Deadlatches are operable by any standard 1-5/32" diameter mortise cylinder with MS® cam dimensioned as shown. Cylinders with MS® cams can be readily obtained from most cylinder manufacturers.

